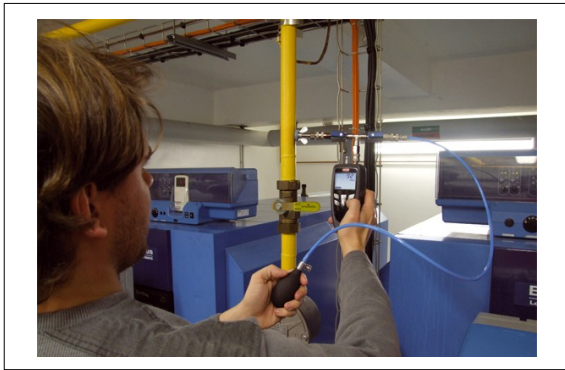


Manometer for gas network sealing

MP 130

Nouveau
CE



Functions

- Pressure
- Selection of units
- Self-calibration
- Display of minimum and maximum value
- HOLD function
- Adjustable automatic shut-off
- Adjustable backlight

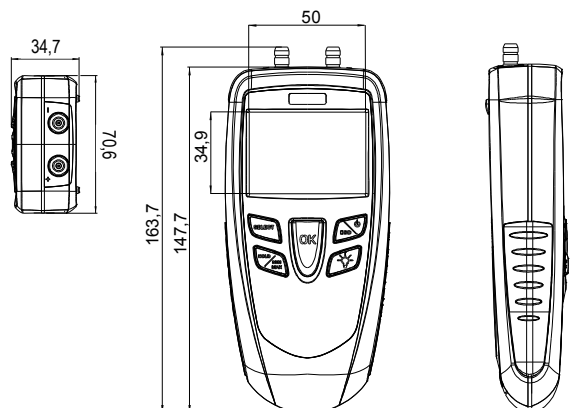
Technical features

Measuring element.....	piezoresistif sensor
Overpressure allowed.....	700 mbar
Pressure connector.....	Ø 4,6 mm threaded connectors made of nickelled brass
Display.....	4 lines, LCD technology. Size 50 x 34,9 mm. 2 lines of 5 digits with 7 segments (value) 2 lines of 5 digits with 16 segments (unit)
Housing.....	Shock-proof made of ABS IP54 protection
Keypad.....	Metal coated with 5 keys
Conformity.....	Electromagnetical compatibility (NF EN 61326-1 guideline)
Power supply.....	1 alkaline battery 9V 6LR6
Operating temperature.....	from 0 to 50°C
Storage temperature.....	from -20 to 80°C
Auto shut-of.....	adjustable from 0 to 120 min
Weight.....	190 g
Languages.....	French, English



Dimensions (mm)

- Top view
- Front view
- Side view



Specifications

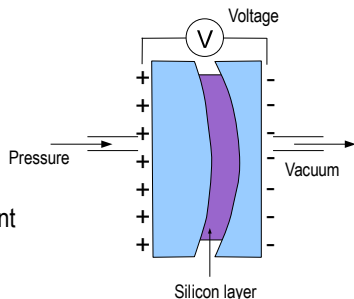
	Measurement units	Measuring range	Accuracy*	Resolutions
PRESSURE				
MP 130	kPa, inWg, mbar, mmHg, daPa	from 0 to ± 130 mbar	From 0 to 20 mbar : $\pm 0,4\%$ of full scale $\pm 0,01$ mbar From 20 to 130 mbar : $\pm 0,3\%$ of full scale $\pm 0,1$ mbar	From 0 to 20 mbar : 0,01 mbar From 20 to 130 mbar : 0,1 mbar

*All accuracies indicated in this document were stated in laboratory conditions and can be guaranteed for measurements carried out in the same conditions, or carried out with required compensation.

Working principle

Piezoresistif sensor

Piezoresistif sensor is a diaphragm formed on a silicon substrate, which bends with applied pressure and generate millivoltage or millicurrent proportional to the pressure applied.



Supplied with ...

● Included ○ Optional

DESCRIPTION	MP 130 S
Pressure sensor from 0 to ± 130 mbar	●
Sealing kit	●
Adjusting certificate	●
Transport case	●
Calibration certificate	○



Sealing kit includes :

Connectors		Plugs	
	Stainless steel male connector, 9 mm diameter		Plug : outside diameter : 22-44 mm 9 mm male connector
	Stainless steel female connector, 9 mm diameter		Plug : outside diameter : 18-32 mm 9 mm male connector
Tap with 2 valves and 3 channels	Pressurization pump		
	Rubber pump		

Accessories

CE 100	J.T.C or J.Y.C	See related datasheet
Protective cover with magnet and holding system	Straight connections, in T or Y for tube $\varnothing 5 \times 8$ mm	Pitot tube available in many lengths $\varnothing 3/6$ or 8 mm, with or without temperature compensation

Warranty period

Instruments have one year guarantee for any manufacturing defect (return to our After-Sales Service required for appraisal).

www.kimo.fr

Distributed by :



EXPORT DEPARTMENT

Tel : + 33. 1. 60. 06. 69. 25 - Fax : + 33. 1. 60. 06. 69. 29

e-mail : export@kimo.fr